



Yordany Carpentry Services INC.
Tel +1 727 916 0976
karina.estopinales.ycs@gmail.com

476

SPECIFICATIONS

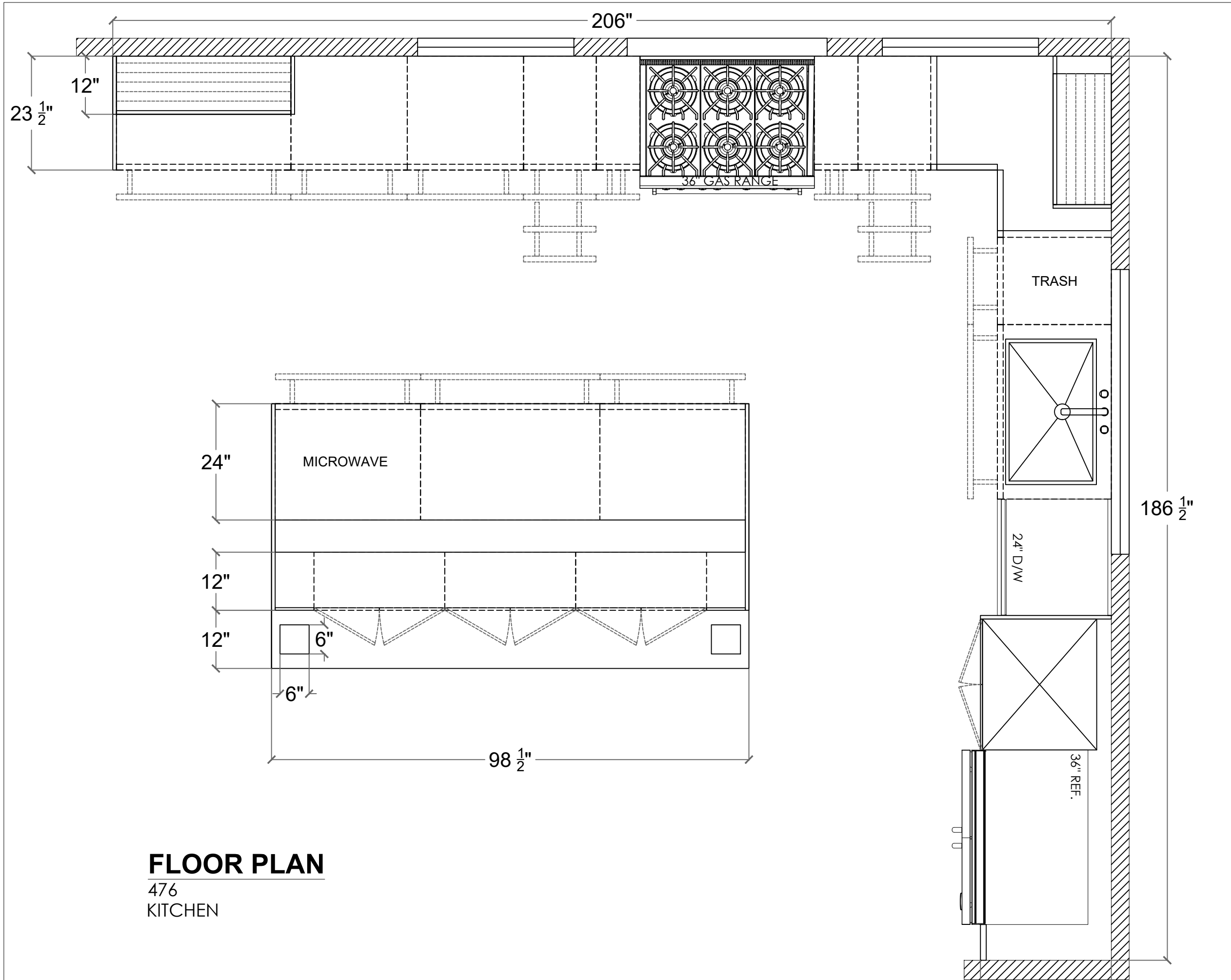
MODEL: FLAT DOOR
BASE UNIT FINISH: WOODLINE 4
WALL UNIT FINISH: WOODLINE 4
TALL UNIT FINISH: WOODLINE 4

APPLIANCES

SALES/DESIGNER
KARINA

DATE: 02.19.2025
DRAWING TITLE:

KITCHEN
FLOOR PLAN PAGE 1 OF 12



FLOOR PLAN

476
KITCHEN



Yordany Carpentry Services INC.
 Tel +1 727 916 0976
 karina.estopinales.ycs@gmail.com

476

SPECIFICATIONS

MODEL: FLAT DOOR
 BASE UNIT FINISH: WOODLINE 4
 WALL UNIT FINISH: WOODLINE 4
 TALL UNIT FINISH: WOODLINE 4

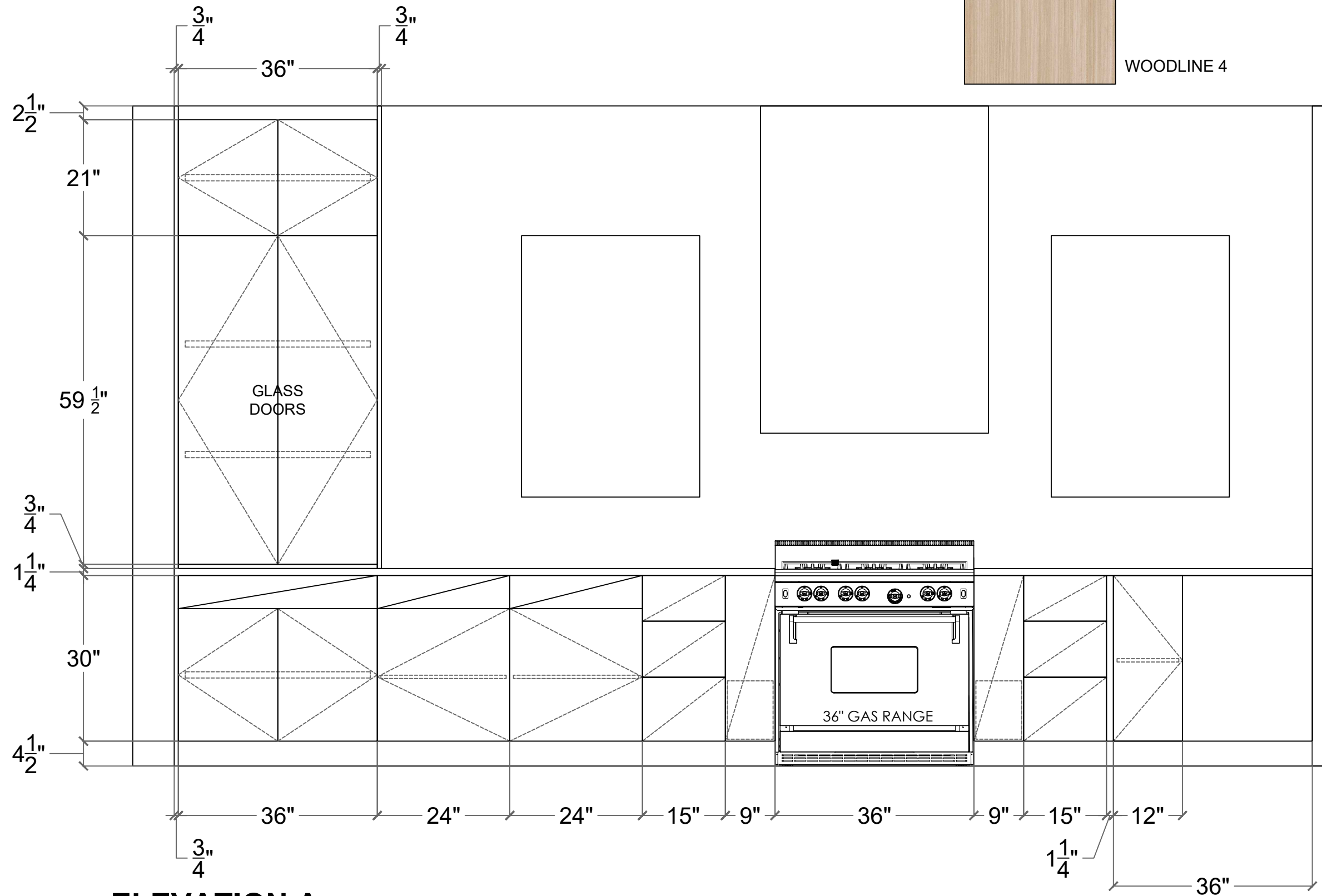
APPLIANCES

SALES/DESIGNER
 KARINA
 DATE: 02.19.2025
 DRAWING TITLE:

KITCHEN
 ELEB. A

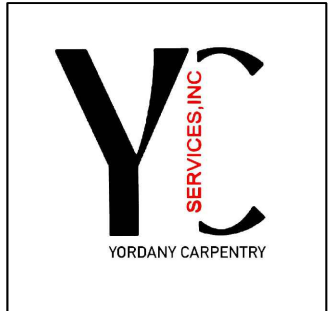


WOODLINE 4



ELEVATION A

476
 KITCHEN



Yordany Carpentry Services INC.
Tel +1 727 916 0976
karina.estopinales.ycs@gmail.com

476

SPECIFICATIONS

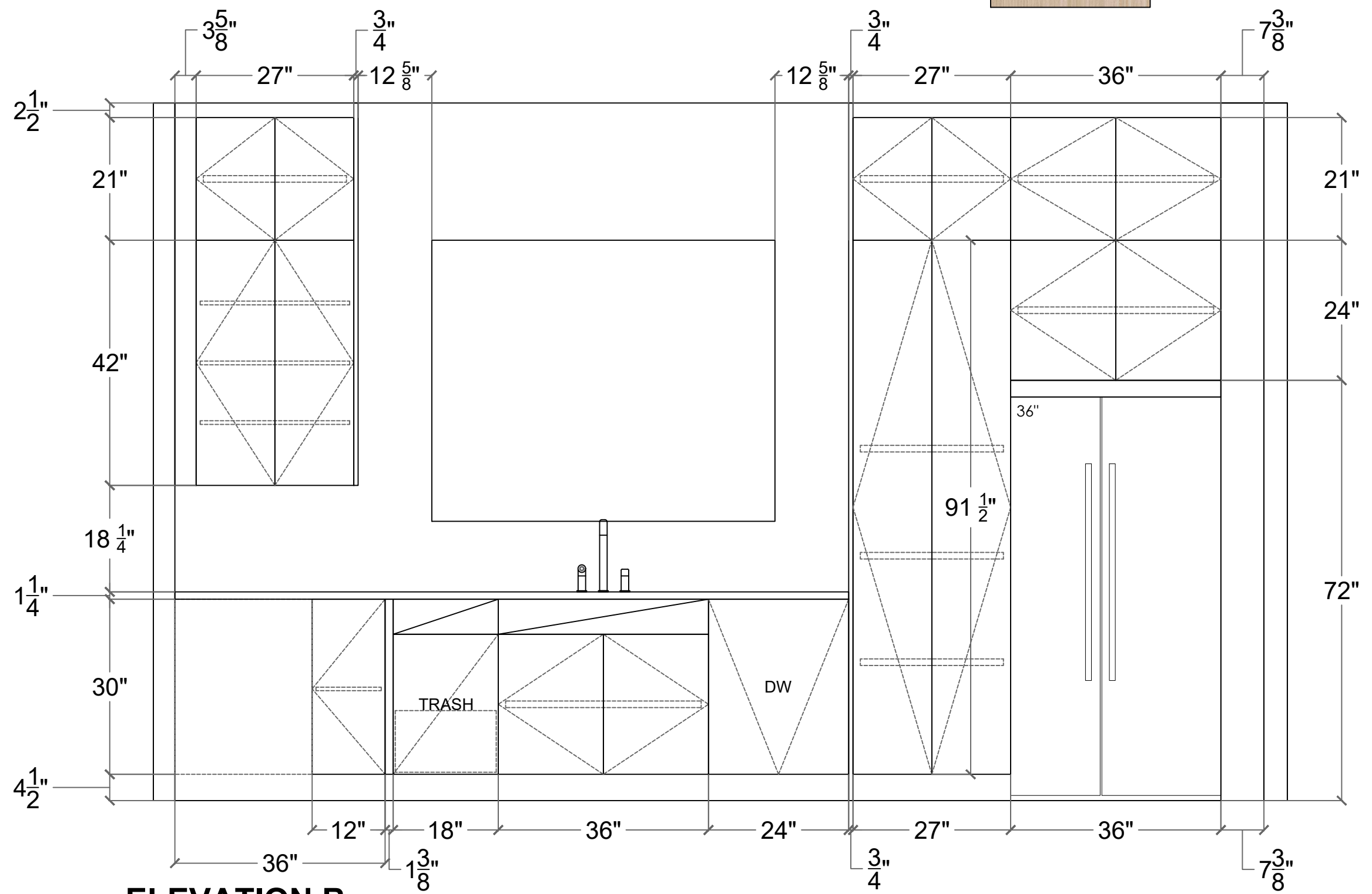
- MODEL: FLAT DOOR
- BASE UNIT FINISH: WOODLINE 4
- WALL UNIT FINISH: WOODLINE 4
- TALL UNIT FINISH: WOODLINE 4

APPLIANCES

SALES/DESIGNER
KARINA
DATE: 02.19.2025
DRAWING TITLE:
KITCHEN
ELEV. B
PAGE 3 OF 12



WOODLINE 4

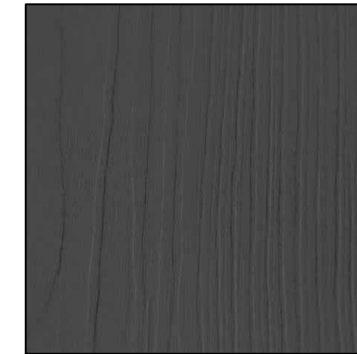


ELEVATION B
476
KITCHEN



Yordany Carpentry Services INC.
Tel +1 727 916 0976
karina.estopinales.ycs@gmail.com

ANTRACITA NATURAL



476

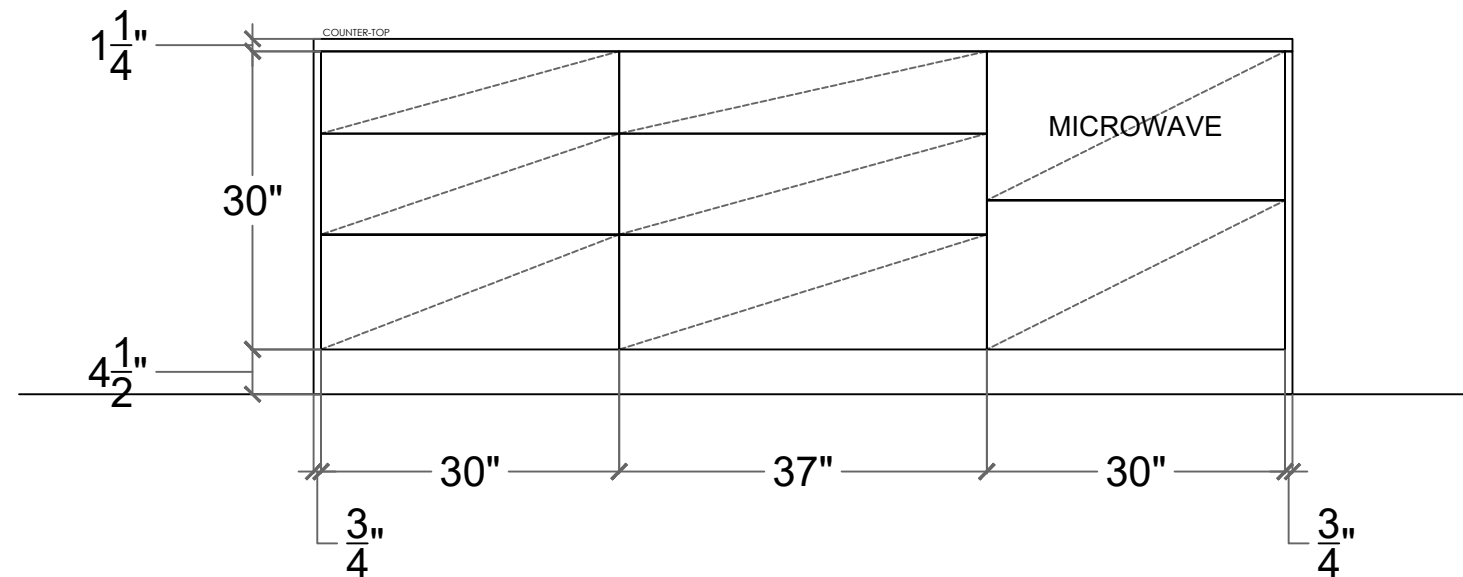
SPECIFICATIONS

MODEL: FLAT DOOR

BASE UNIT FINISH: ANTRACITA NATURAL

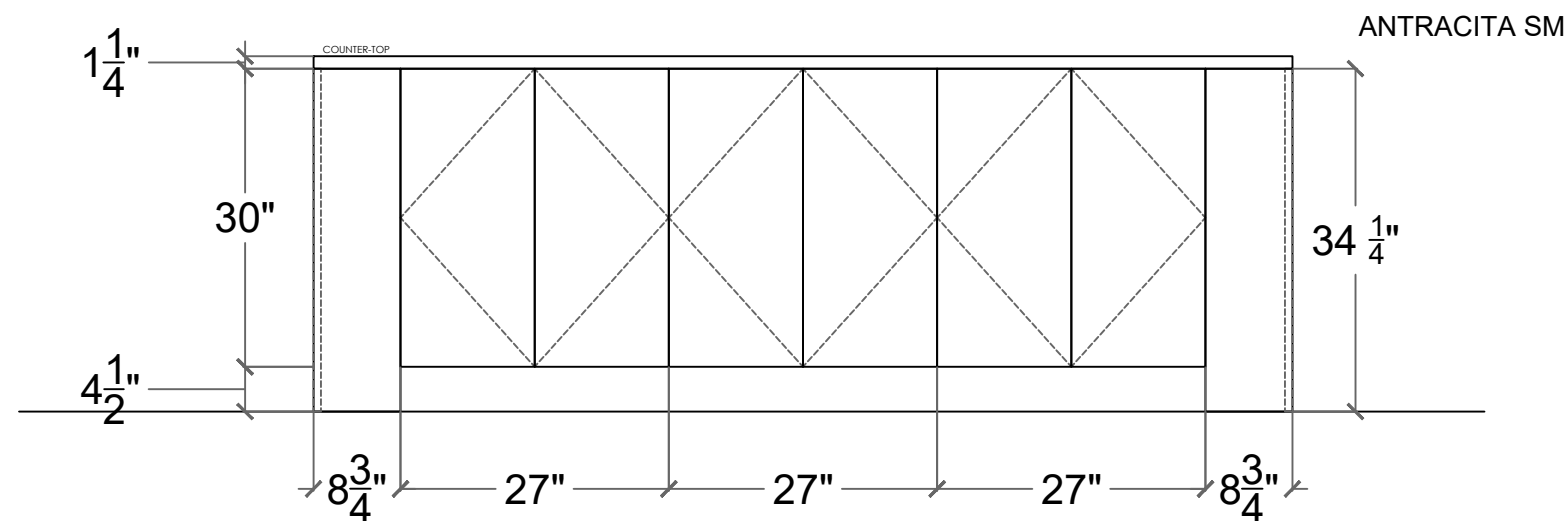
WALL UNIT FINISH:

TALL UNIT FINISH:



ELEVATION C SCALE 1/2"=1'-0"

435 44 AVE
KITCHEN



ELEVATION D SCALE 1/2"=1'-0"

435 44 AVE
KITCHEN

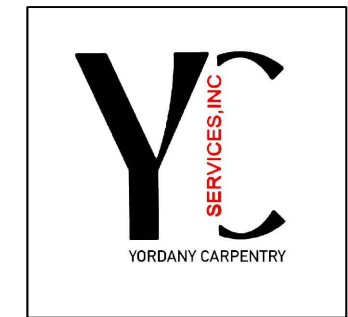
APPLIANCES

SALES/DESIGNER
KARINA

DATE: 02.19.2025

DRAWING TITLE:

KITCHEN
ELEV. C & D



Yordany Carpentry Services INC.
 Tel +1 727 916 0976
 karina.estopinales.ycs@gmail.com

476

SPECIFICATIONS

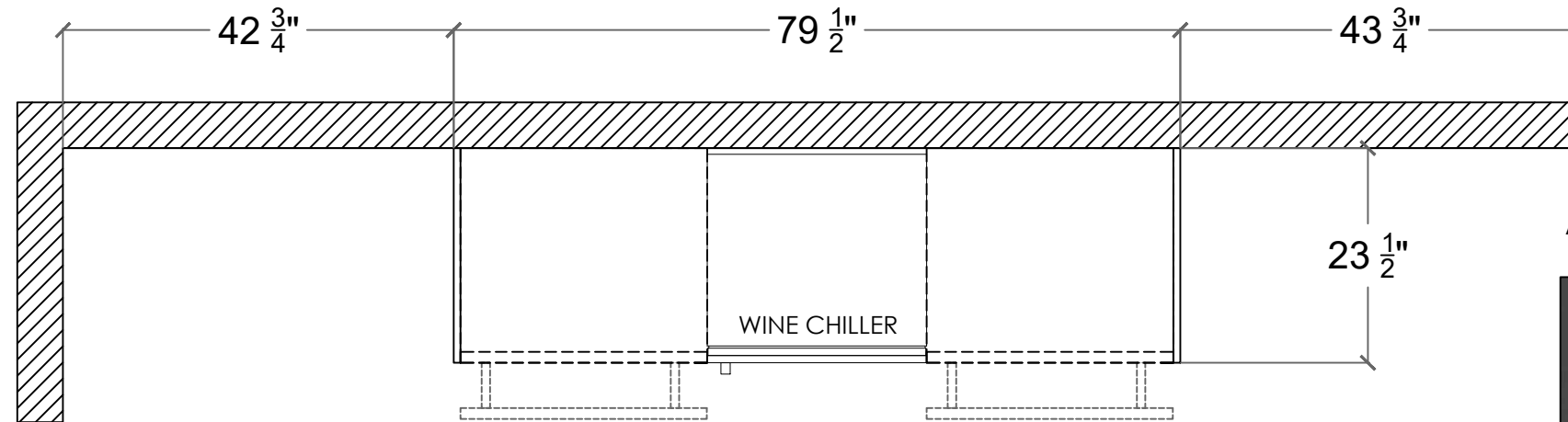
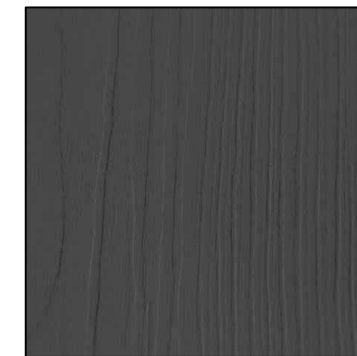
MODEL: FLAT DOOR

BASE UNIT FINISH: ANTRACITA NATURAL

WALL UNIT FINISH:

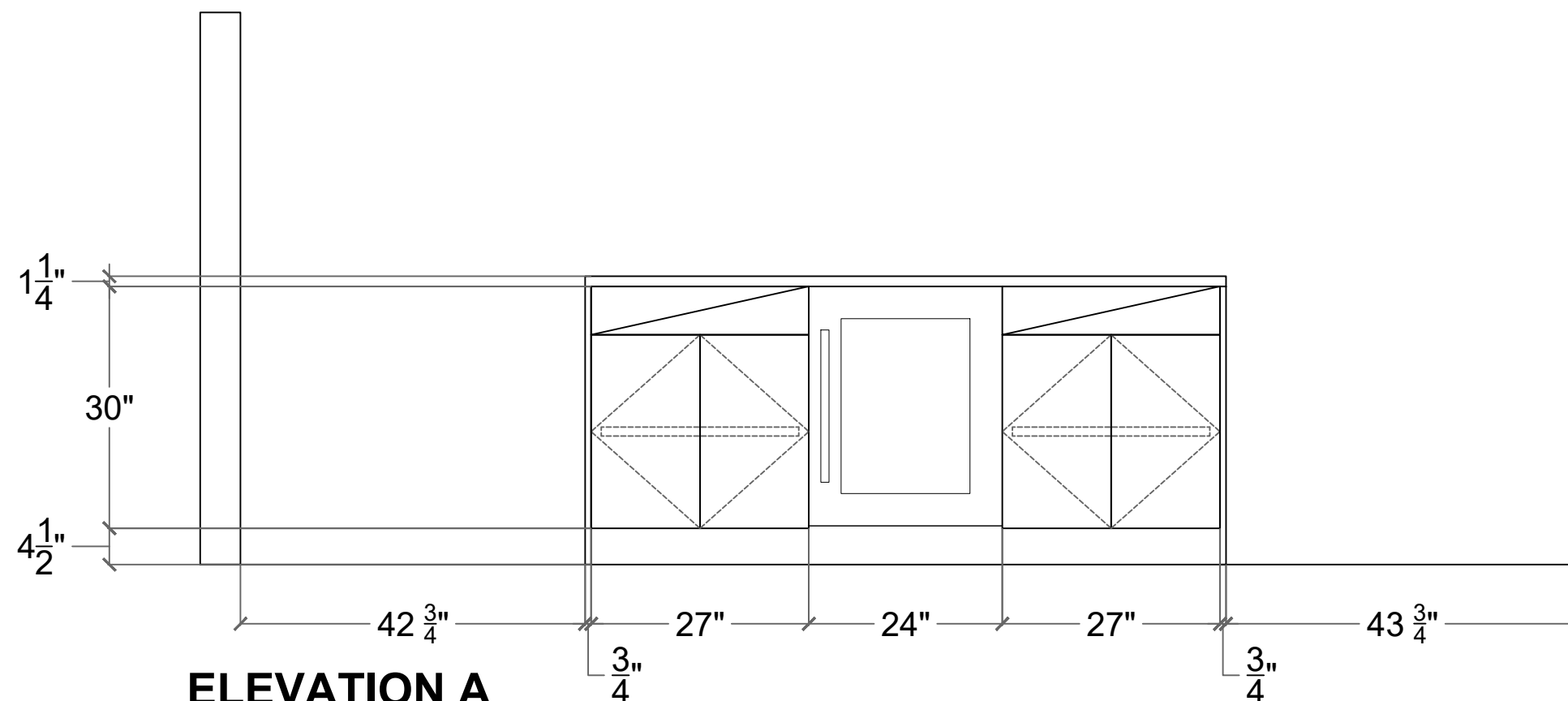
TALL UNIT FINISH:

ANTRACITA NATURAL



FLOOR PLAN

476
 BAR



ELEVATION A

476
 BAR

APPLIANCES

SALES/DESIGNER
 KARINA

DATE: 02.19.2025
 DRAWING TITLE:

BAR
 FLOOR PLAN PAGE 5 OF 12



Yordany Carpentry Services INC.
Tel +1 727 916 0976
karina.estopinales.ycs@gmail.com

476

SPECIFICATIONS

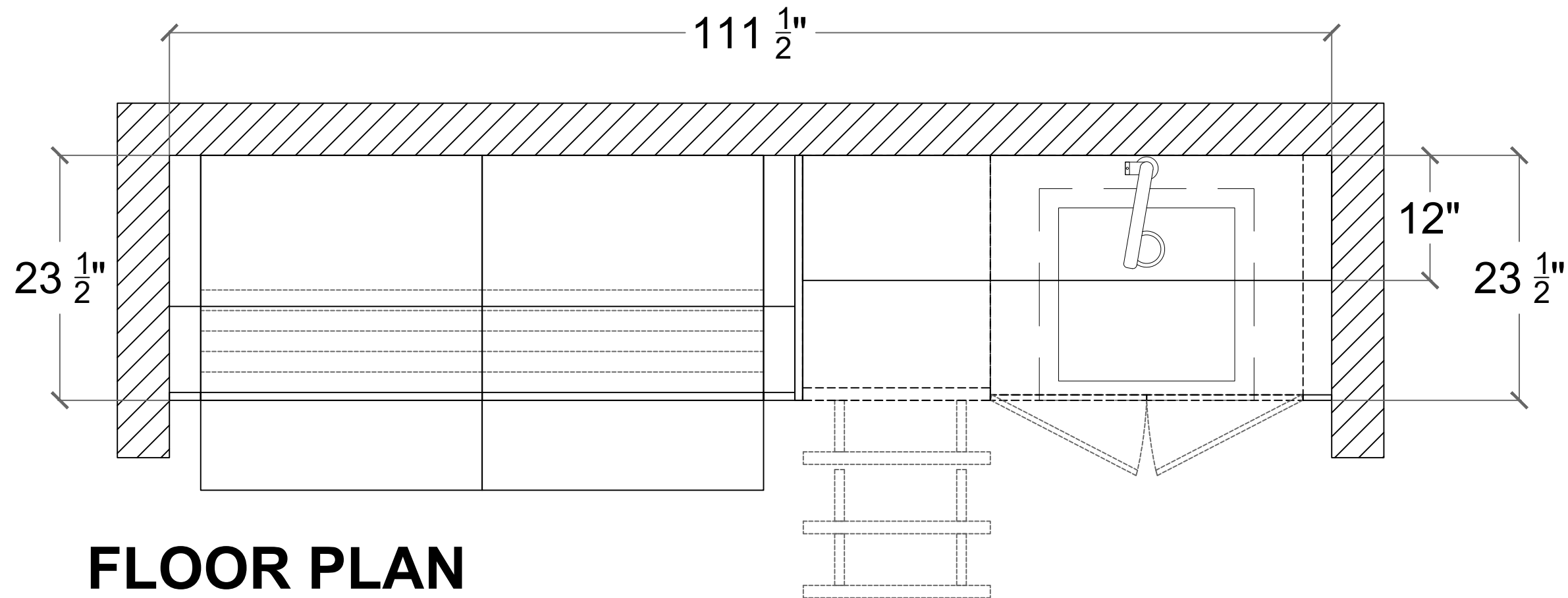
MODEL: FLAT DOOR
BASE UNIT FINISH: WOODLINE 4
WALL UNIT FINISH: WOODLINE 4
TALL UNIT FINISH:

APPLIANCES

SALES/DESIGNER
KARINA

DATE: 02.19.2025
DRAWING TITLE:

LAUNDRY
FLOOR PLAN PAGE 6 OF 12

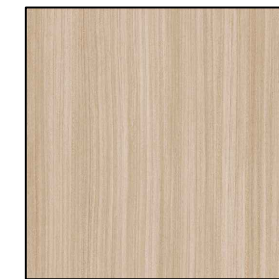


FLOOR PLAN

476
LAUNDRY



Yordany Carpentry Services INC.
 Tel +1 727 916 0976
 karina.estopinales.ycs@gmail.com



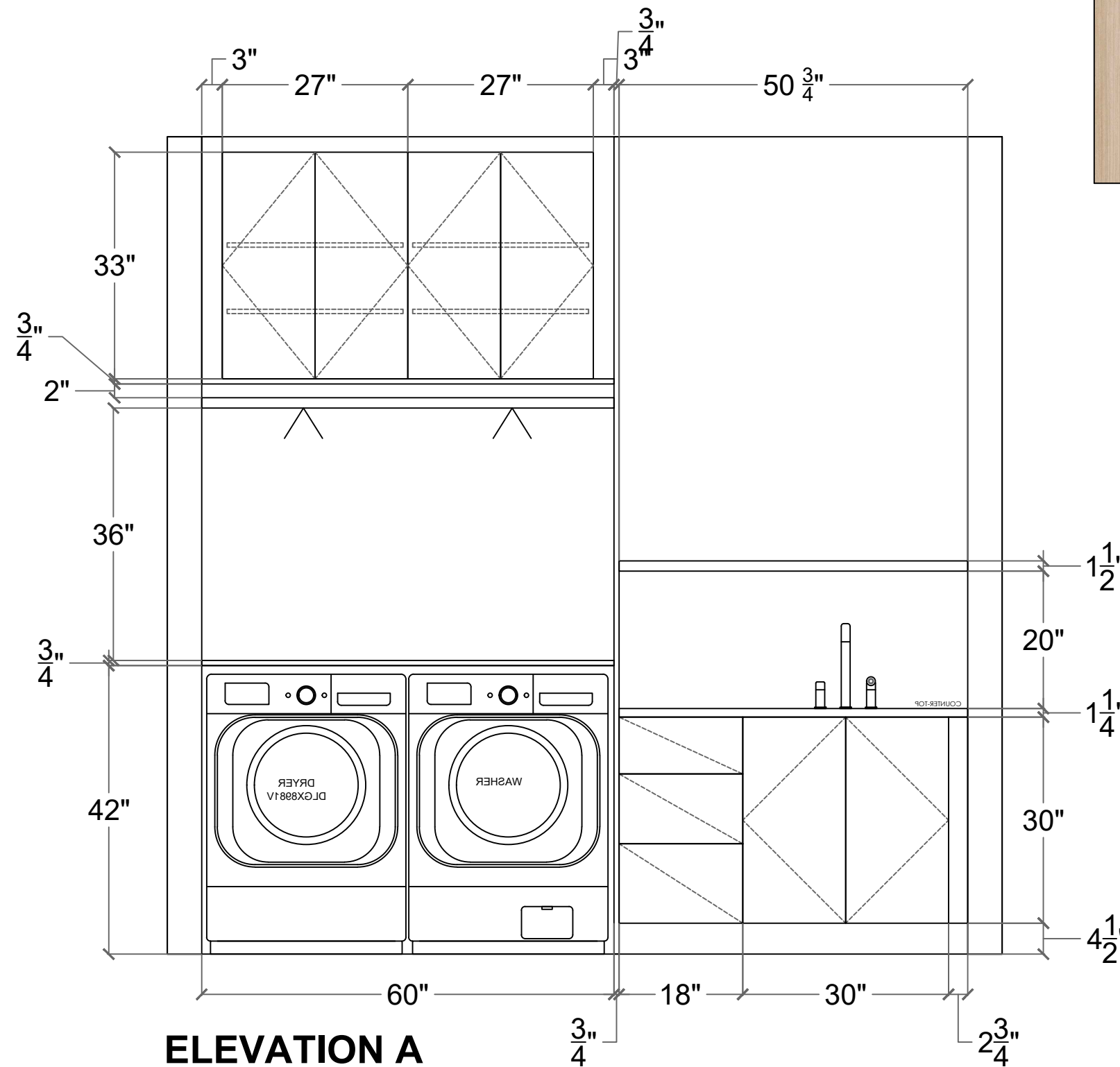
WOODLINE 4

476

SPECIFICATIONS

MODEL: FLAT DOOR
 BASE UNIT FINISH: WOODLINE 4
 WALL UNIT FINISH: WOODLINE 4
 TALL UNIT FINISH:

APPLIANCES



ELEVATION A

476
 LAUNDRY

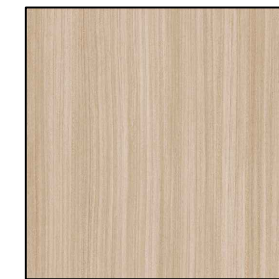
SALES/DESIGNER
 KARINA

DATE: 02.19.2025
 DRAWING TITLE:

LAUNDRY
 ELEV.A



Yordany Carpentry Services INC.
 Tel +1 727 916 0976
 karina.estopinales.ycs@gmail.com

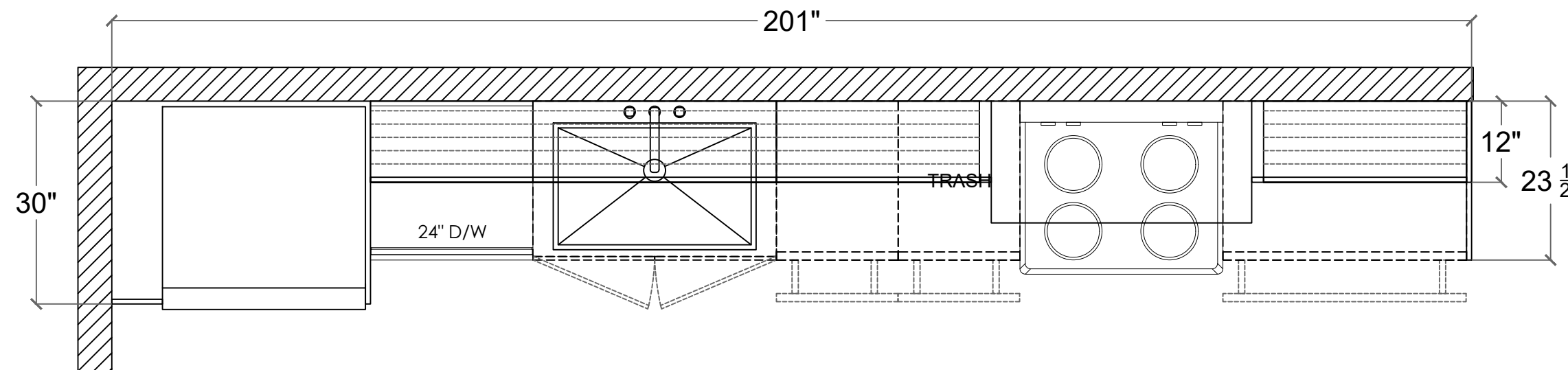


WOODLINE 4

476

SPECIFICATIONS

MODEL: FLAT DOOR
 BASE UNIT FINISH: WOODLINE 4
 WALL UNIT FINISH: WOODLINE 4
 TALL UNIT FINISH:



FLOOR PLAN

476
 GUEST KITCHEN

APPLIANCES

SALES/DESIGNER
 KARINA

DATE: 02.19.2025

DRAWING TITLE:

GUEST
 KITCHEN



Yordany Carpentry Services INC.
 Tel +1 727 916 0976
 karina.estopinales.ycs@gmail.com

476

SPECIFICATIONS

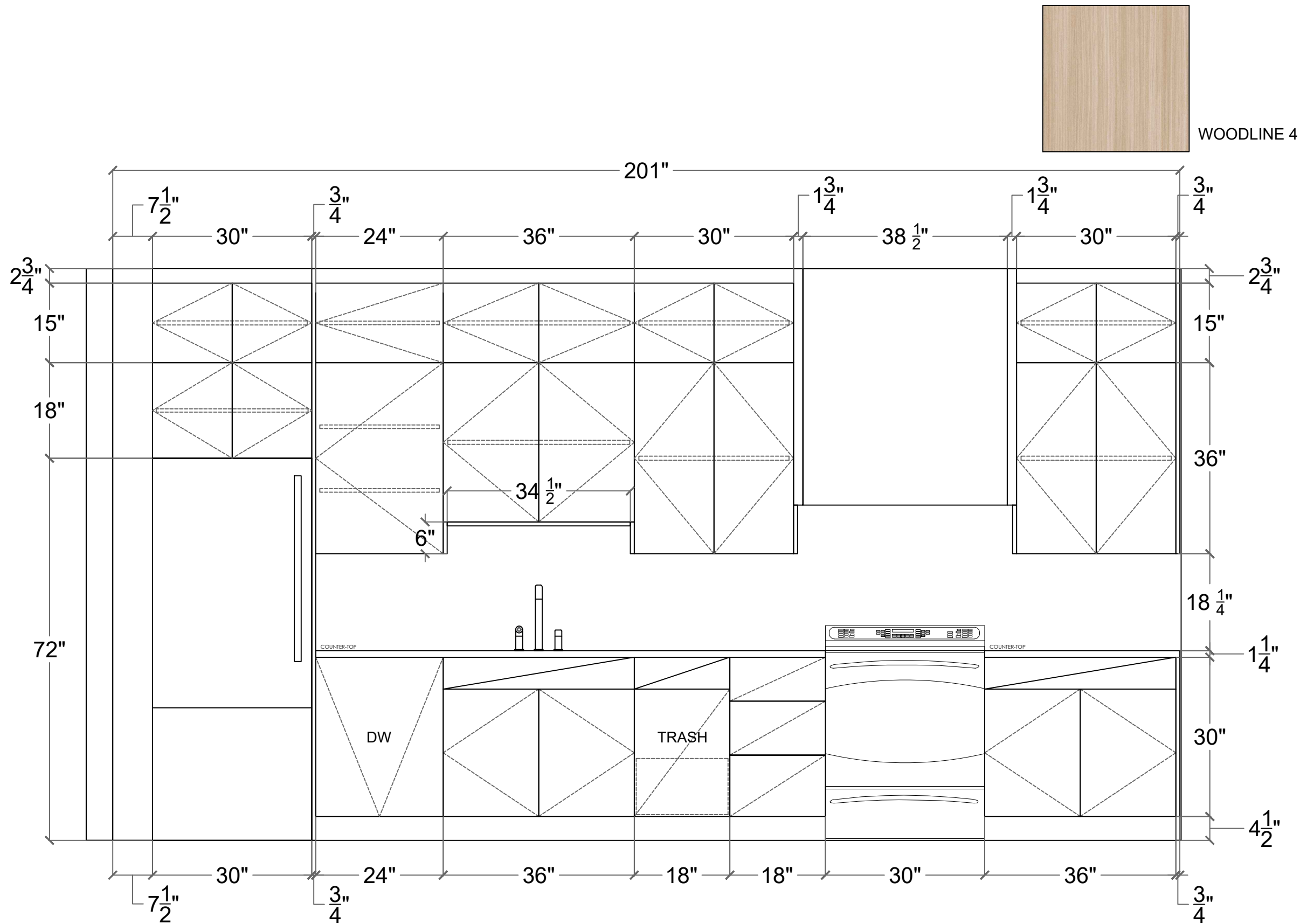
MODEL: FLAT DOOR
 BASE UNIT FINISH: WOODLINE 4
 WALL UNIT FINISH: WOODLINE 4
 TALL UNIT FINISH:

APPLIANCES

SALES/DESIGNER
 KARINA

DATE: 02.19.2025
 DRAWING TITLE:

GUEST
 KITCHEN



WOODLINE 4

ELEVATION A

476
 GUEST KITCHEN



Yordany Carpentry Services INC.
Tel +1 727 916 0976
karina.estopinales.ycs@gmail.com

476

SPECIFICATIONS

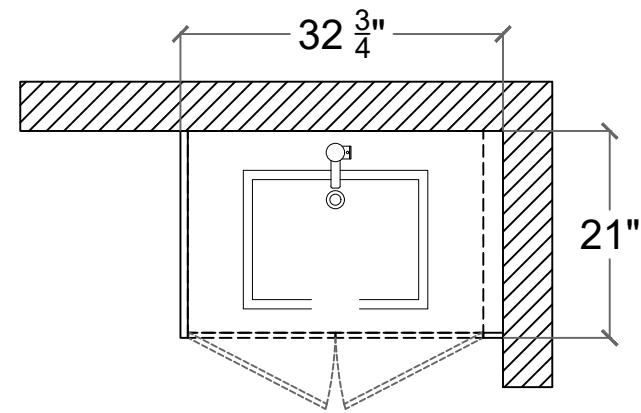
MODEL: FLAT DOOR
BASE UNIT FINISH: WOODLINE 4
WALL UNIT FINISH: WOODLINE 4
TALL UNIT FINISH:

APPLIANCES

SALES/DESIGNER
KARINA

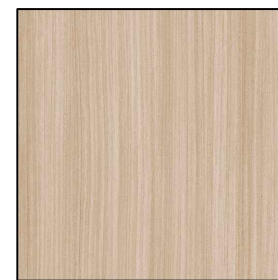
DATE: 02.19.2025
DRAWING TITLE:

BATH 1
POWDER

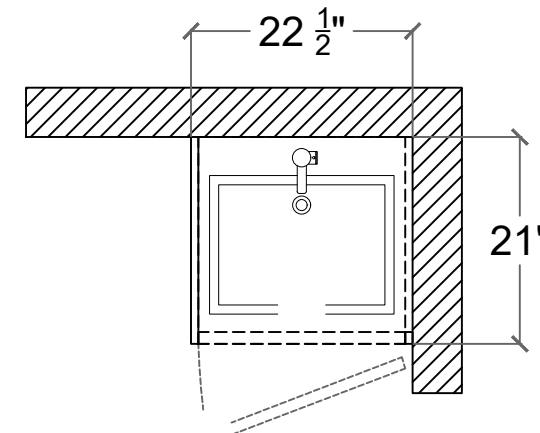


FLOOR PLAN

476
BATH 1

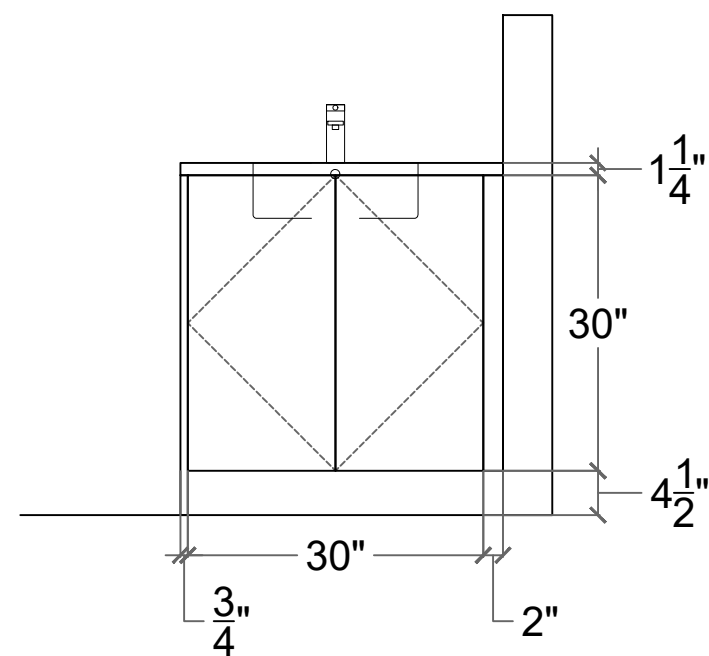


WOODLINE 4



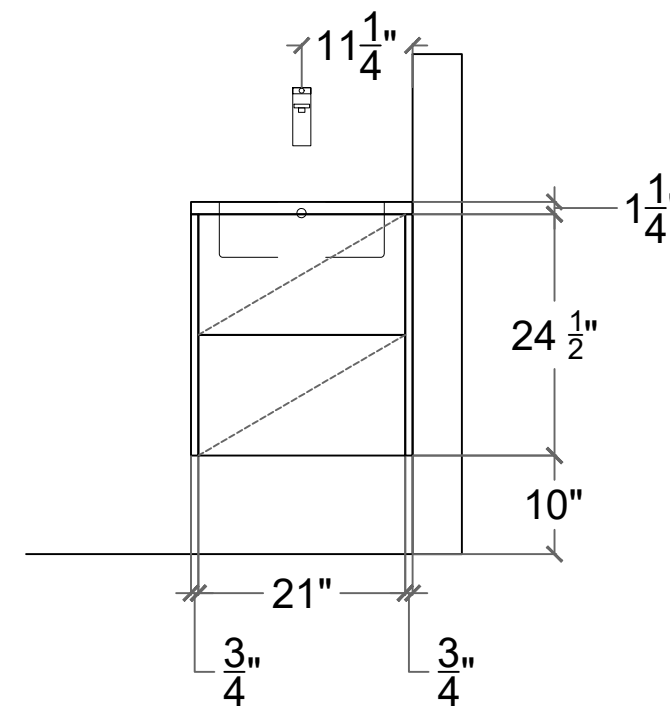
FLOOR PLAN

476
POWDER BATH



ELEVATION A

476
BATH 1



ELEVATION A

476
POWDER BATH



Yordany Carpentry Services INC.
Tel +1 727 916 0976
karina.estopinales.ycs@gmail.com

476

SPECIFICATIONS

MODEL: FLAT DOOR

BASE UNIT FINISH: WOODLINE 4

WALL UNIT FINISH: WOODLINE 4

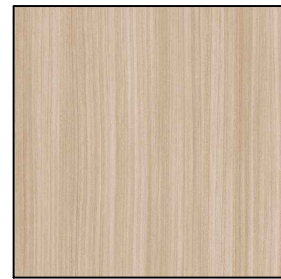
TALL UNIT FINISH:

APPLIANCES

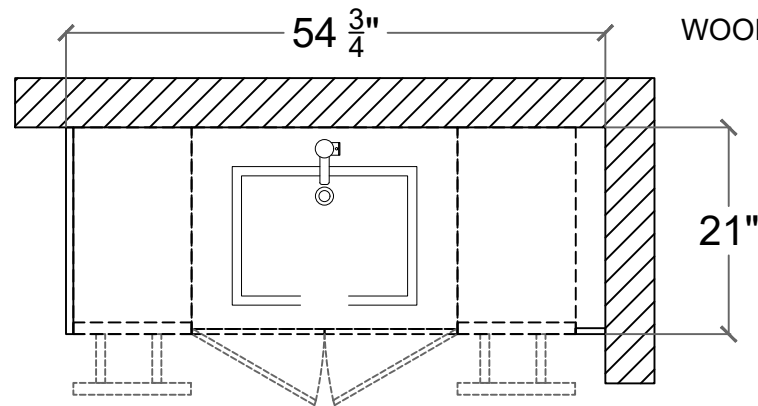
SALES/DESIGNER
KARINA

DATE: 02.19.2025
DRAWING TITLE:

BATH 2
MASTER

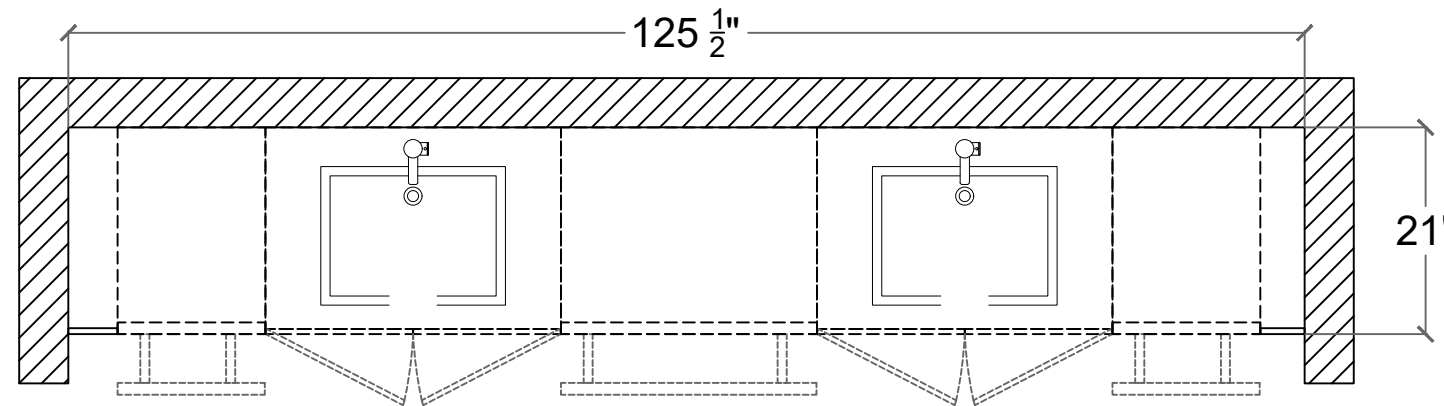


WOODLINE 4



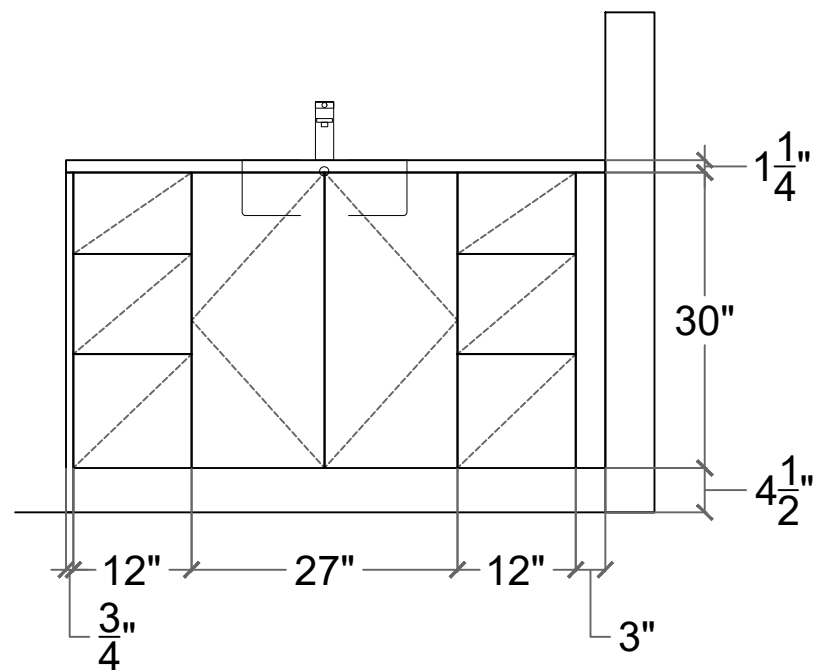
FLOOR PLAN

476
BATH 2 (SECOND FLOOR)



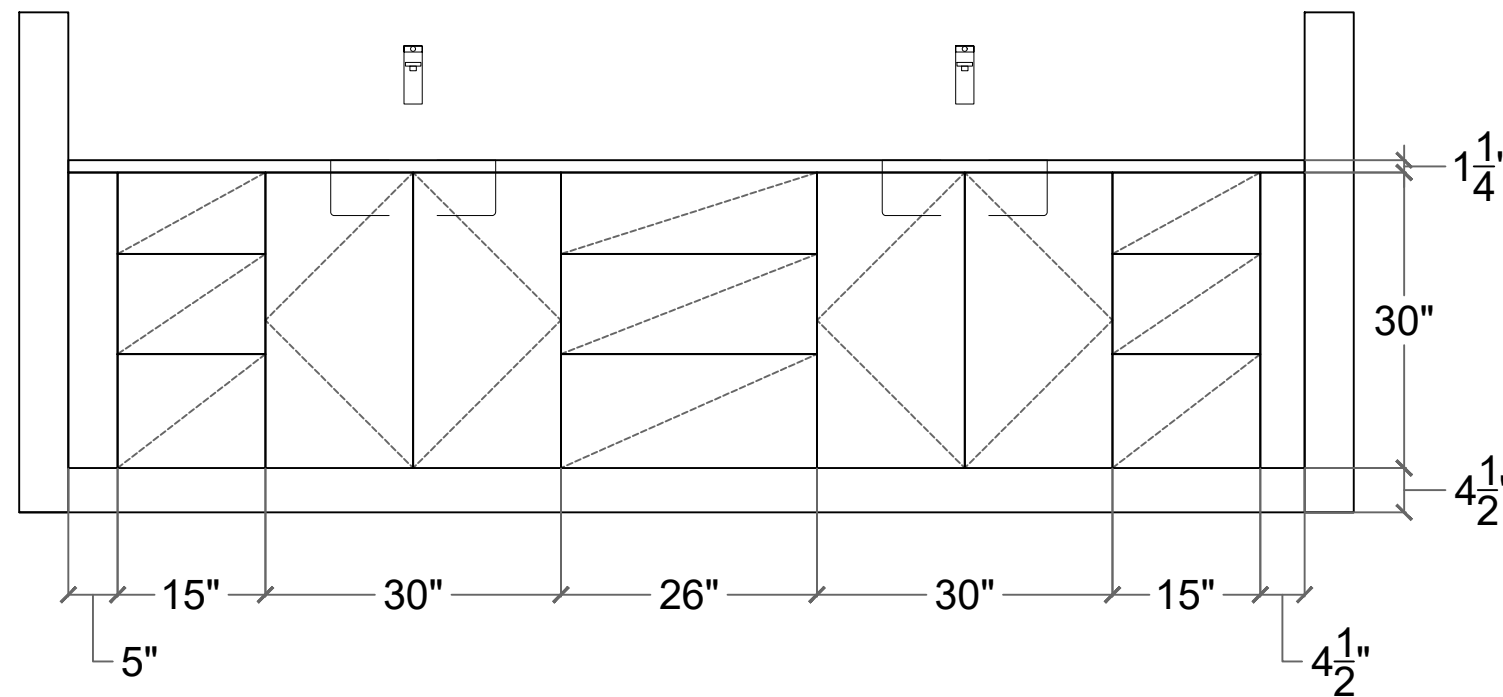
FLOOR PLAN

476
MASTER BATH



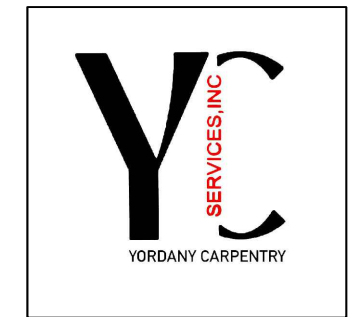
ELEVATION A

476
BATH 2 (SECOND FLOOR)



ELEVATION A

476
MASTER BATH



Yordany Carpentry Services INC.
Tel +1 727 916 0976
karina.estopinales.ycs@gmail.com

476

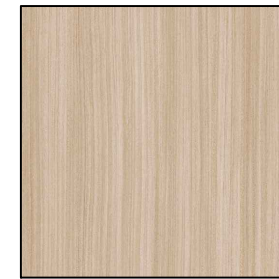
SPECIFICATIONS

MODEL: FLAT DOOR
BASE UNIT FINISH: WOODLINE 4
WALL UNIT FINISH: WOODLINE 4
TALL UNIT FINISH:

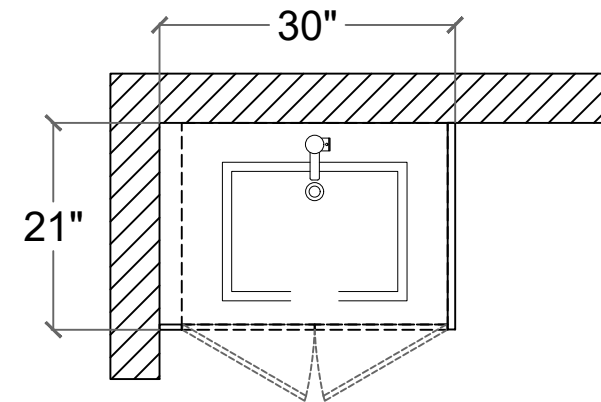
APPLIANCES

SALES/DESIGNER
KARINA
DATE: 02.19.2025
DRAWING TITLE:

GUEST
BATH

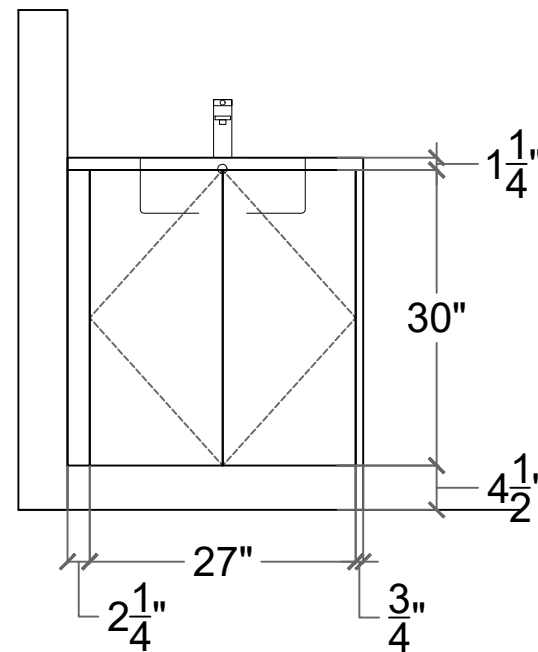


WOODLINE 4



FLOOR PLAN

476
GUEST BATH



ELEVATION A

476
GUEST BATH